



TECHNICAL DATASHEET KIND

Characteristics:

The word multipurpose is too short for our KIND collection, chairs that integrate perfectly into all professional environments with simplicity of lines in visually subtle forms. The KIND collection is the most sensible answer that brings versatility, simplicity, resistance, and aesthetics. Available versions are; four legs with arms, skate base, four-footed column, and bench. The KIND is a complete and adaptable collection of multipurpose visitor's chairs.

Summary of materials for skid and 4-leg chairs:

Backrest:

- Option A: Exterior is 100% recyclable, plastic injection black polypropylene. Backrest is made from flexible, high-density (hard) (25 kg/m³) polyurethane foam.
- Option B: Exterior is 100% recyclable, plastic injection black polypropylene. Backrest is nylon acrylic mesh.

Seat: Exterior is 100% recyclable, plastic injection black polypropylene. The seat is made from flexible, high-density (hard) (30 kg/m³) polyurethane foam.

Frame: Steel tube, 25 mm diameter, in chromed steel. Nylon armrests and non-slip gliders.

Summary of materials for swivel chair:

Backrest:

- Option A: Exterior is 100% recyclable, plastic injection black polypropylene. Backrest is made from flexible, high-density (hard) (25 kg/m³) polyurethane foam.
- Option B: Exterior is 100% recyclable, plastic injection black polypropylene. Backrest is nylon acrylic mesh.

Seat: Exterior is 100% recyclable, plastic injection black polypropylene. The seat is made from flexible, high-density (hard) (30 kg/m³) polyurethane foam.

Mechanism: Revolving system (Optional: revolving +5 cm height) /Gas lift.

Gas lift: Gas lift, chromed.

Base: 4 legs in polished aluminium, 69 cm in diameter.

Summary of upholstery:

Fabric: See upholstery sheet.

Material bonded with solvent free, water-based adhesive (polychloroprene base polymer resins).

List of certificates and standards:

EN 16139:2003

EN ISO 845

BS 5852/10

UNI EN 1728 p.6.8

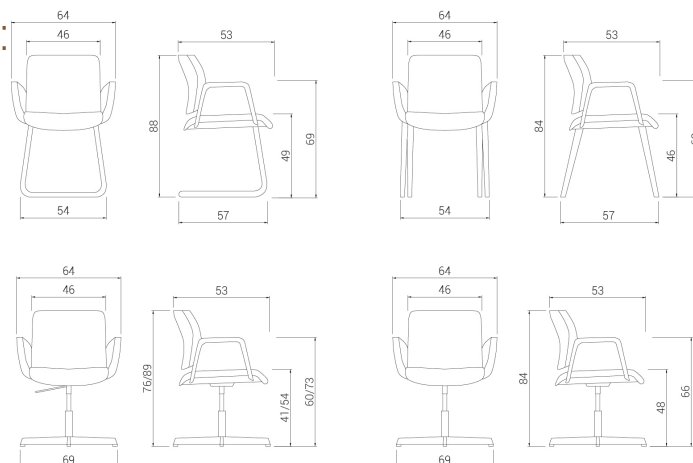
UNI EN 1728 p.6.7

UNI EN 1728 p.6.2.1

EN 1335 3/01

UNI 9084/02

Dimensions:



Optional: revolving +5 cm height





TECHNICAL DATA DESCRIPTION

SKID AND 4-LEG CHAIR

Backrest:

- Option A: Exterior is 100% recyclable, plastic injection black polypropylene. Backrest is made from flexible, high-density (hard) (25 kg/m³) (EN ISO 845 / BS 5852/10) polyurethane foam.



- Option B: Exterior is 100% recyclable, plastic injection black polypropylene. Backrest is nylon acrylic mesh, whose characteristics are:

Fabric weight	285 g/m ²
Thickness	0.7 mm
Warp tensile strength	107 kg
Weft tensile strength	135 kg
Warp thread density	8.6
Weft thread density	9.5



Seat:

Exterior is 100% recyclable, plastic injection black polypropylene. The seat is made from flexible, high-density (hard) (30 kg/m³) (EN ISO 845 / BS 5852/10) polyurethane foam.



Structure:

Steel tube, 25 mm diameter, 2 mm thick, chromed, 12 to 15 microns, in chromed steel. Nylon armrests and non-slip gliders. The structure has passed the following tests:

UNE EN 1728 p.6.8	Seat fatigue test.
UNE EN 1728 p.6.7	Backrest fatigue test.
UNE EN 1728 P.6.2.1	Static load on backrest.

SWIVEL CHAIR

Backrest:

- Option A: Exterior is 100% recyclable, plastic injection black polypropylene. Backrest is made from flexible, high-density (hard) (25 kg/m³) (EN ISO 845 / BS 5852/10) polyurethane foam.





- Option B: Exterior is 100% recyclable, plastic injection black polypropylene. Backrest is nylon acrylic mesh, whose characteristics are:

Fabric weight	285 g/m ²
Thickness	0.7 mm
Warp tensile strength	107 kg
Weft tensile strength	135 kg
Warp thread density	8.6
Weft thread density	9.5



Seat:

Exterior is 100% recyclable, plastic injection black polypropylene. The seat is made from flexible, high-density (hard) (30 kg/m³) (EN ISO 845 / BS 5852/10) polyurethane foam.



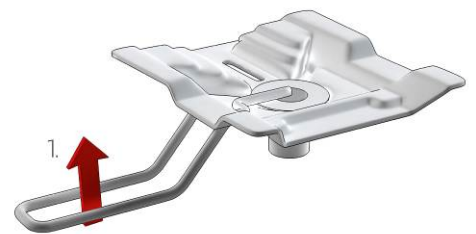
Mechanisms:

- **Revolving system (EN 1335 3/01 / UNI 9084/02):** Auto-centring revolving cylinder, rotating 360°, with damping. Height non-adjustable (Optional: revolving +5 cm height). It is a mechanism to make rotations of the chair while sitting. When the user gets up from the chair, the cylinder automatically returns to its original position. Specially designed to maintain orderly appearance in meeting rooms and waiting areas. Only applies with non-slip nylon gliders.

- **Gas lift:**

The seat moves up and down by operating a lever on the bottom right of the seat.

1. Gas lift.



Gas lift column:

Gas lift column (UNI 9084/02) chromed, 12 to 15 microns thickness.



Base:

4 legs of polished aluminium, 69 cm diameter. With nylon non-slip gliders.

